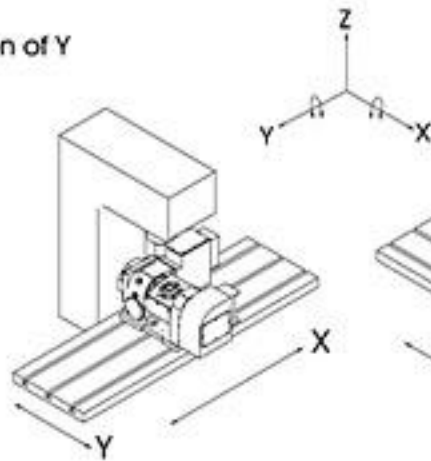
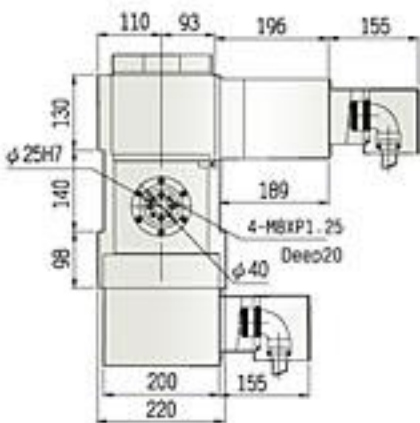


The setting direction of Y



The setting direction of X

