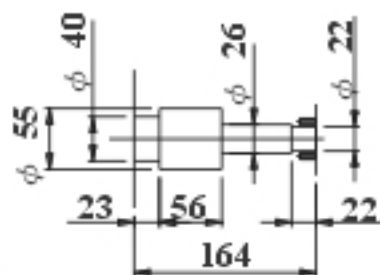
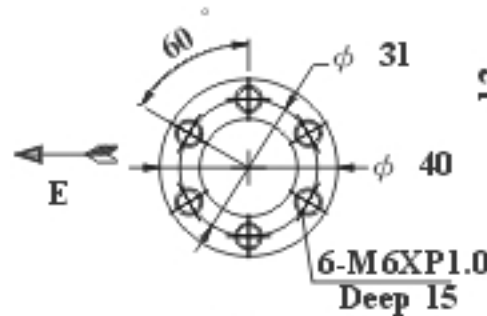


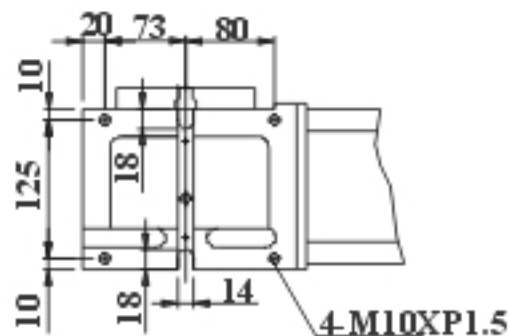
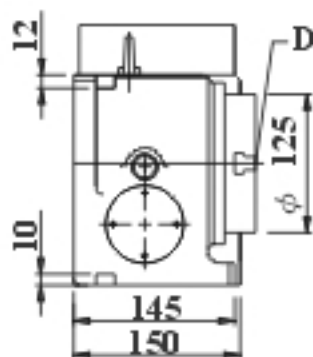
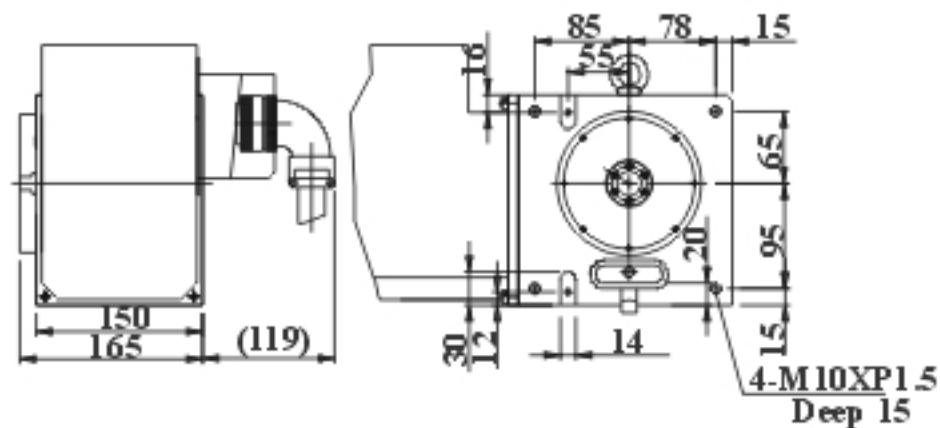
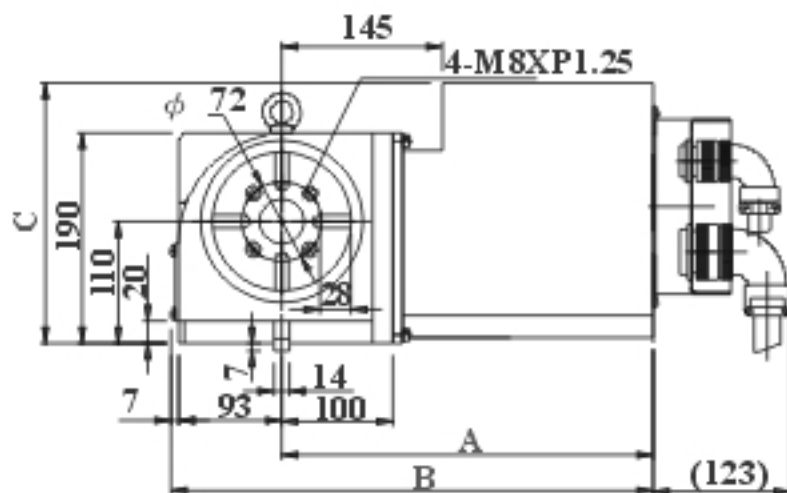
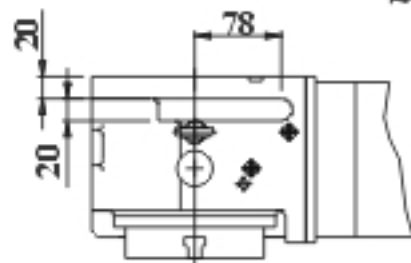
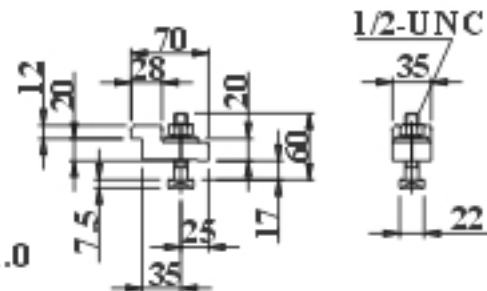
D-View



Spindle



E-View



Servo Motor	A	B	C
FANUC-a2	335	435	235
MELDAS-HA33NC	355	455	260
SEM-MT2202-19	348	448	
SGME-08AF	275	375	