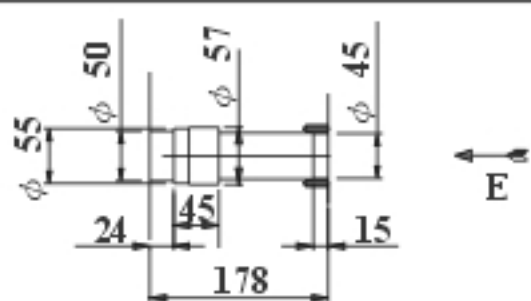
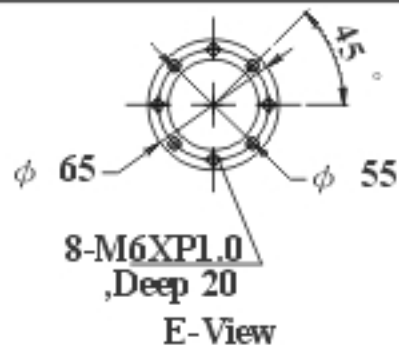


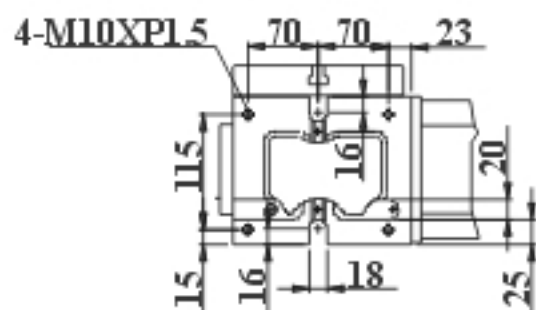
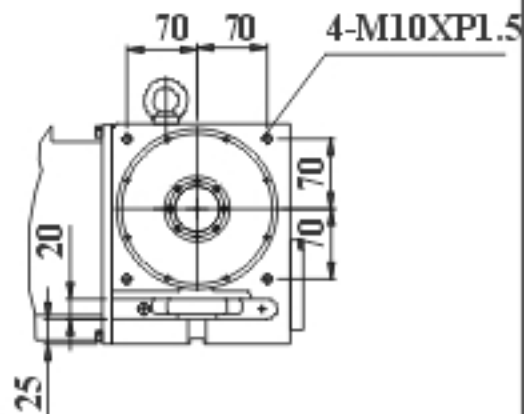
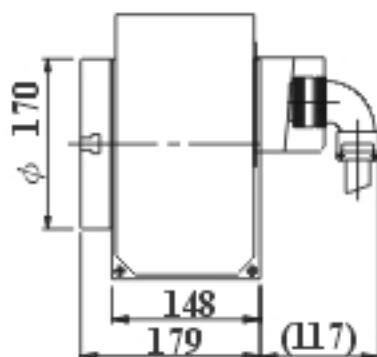
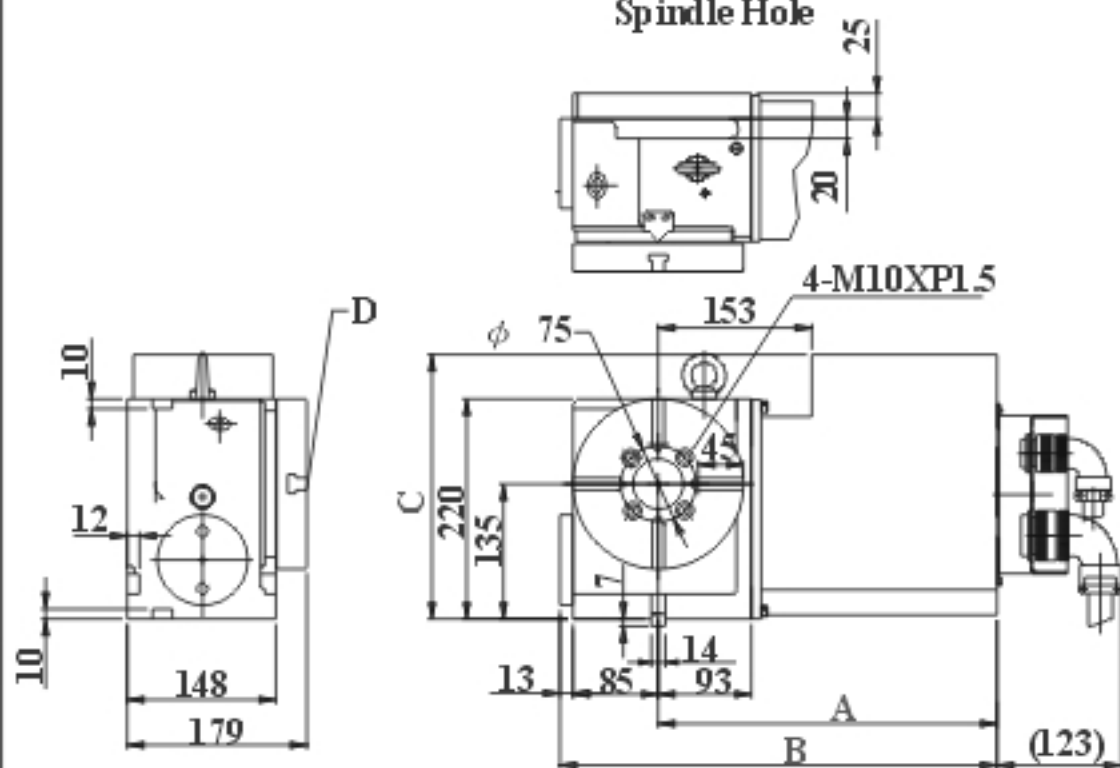
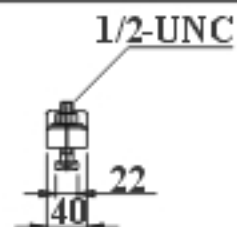
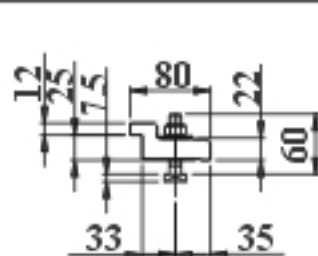
D-View



Spindle Hole



E-View



| Motor | A | B | C |
|-------------------|-----|-----|-----|
| FANUC- α 3 | 338 | 436 | 264 |
| MELDAS-HA40NC | 358 | 456 | 264 |
| HC-52T | 283 | 381 | 279 |
| SGMAH-08A | 268 | 370 | |
| MSM-0.75 | | | |