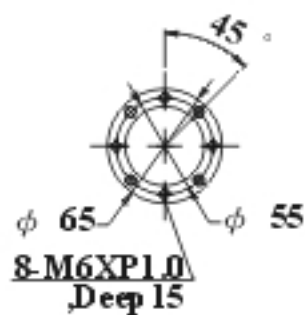
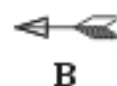
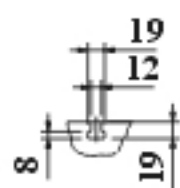
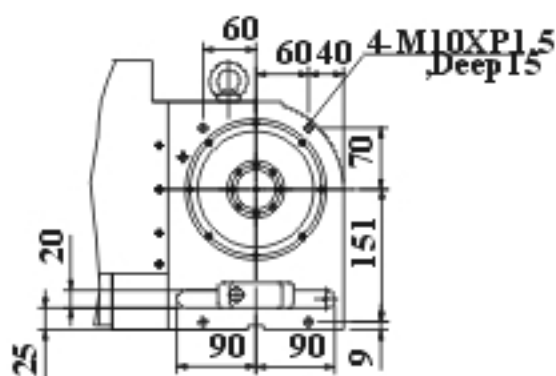
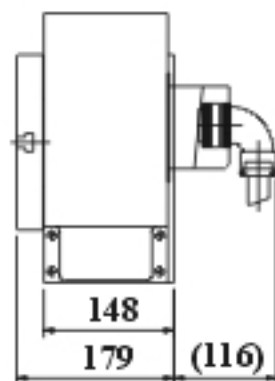
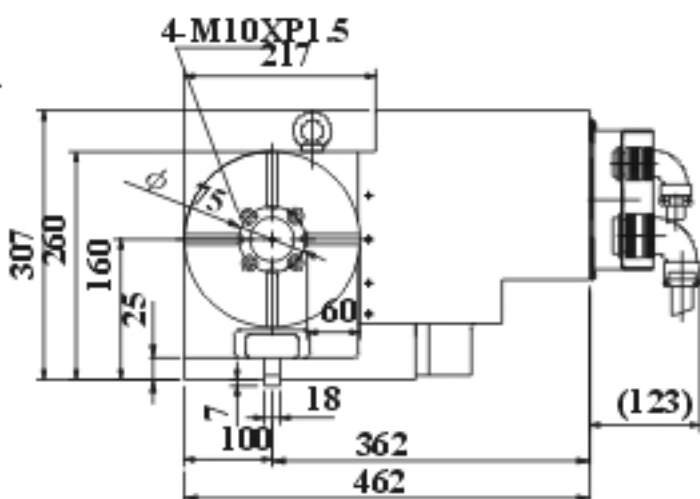
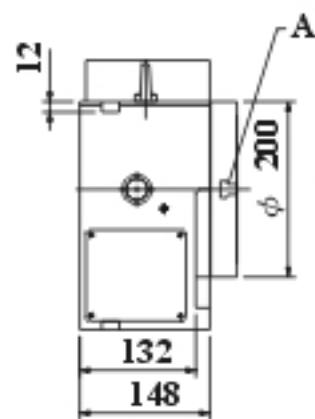


Spindle Hole



B-View



A-View

