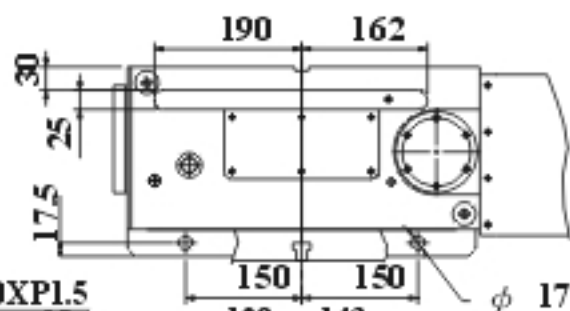
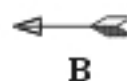


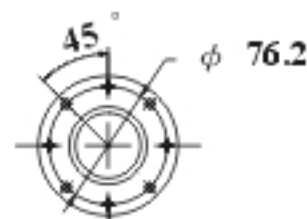
A-View



Spindle Hole



B



8-M6XP1.0, deep 15

B-View

